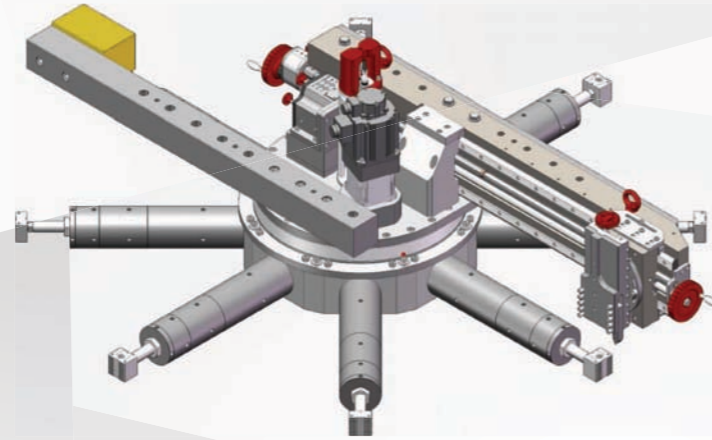


FI2000 Flange Facing Machine

670mm-2032mm(26.34"-80")

YouTube



FI2000 Flange Facing Machine adopts the disk type slewing bearing support structure, relative to the spindle structure, the anti-overturning moment of the equipment is enhanced, and the overall height of the equipment is greatly reduced, especially the seismic ability of the tool arm is enhanced during vertical processing.

It is rugged, compact and ideal for quickly reconditioning rusty, scarred or worn flange gasket seats to like new condition in minutes. ID-mounted, this machine has a working range of 670mm (26.38") to 2032mm (80") and features 6 continuous feed rates. The mounting bases come in three sizes and have micro-adjustable jaws to help quickly align the base during set-up. Air motor and servo motor are optional. It can machining standard FF and RF flange facing, RTJ and other V grooves, welding reparations, etc. The FI2000 Flange Facer are suitable for the oil and gas industry, power plants, chemical plants, oil rigs and many others. They are prepared to implement applications complying with ASME standards.

Features

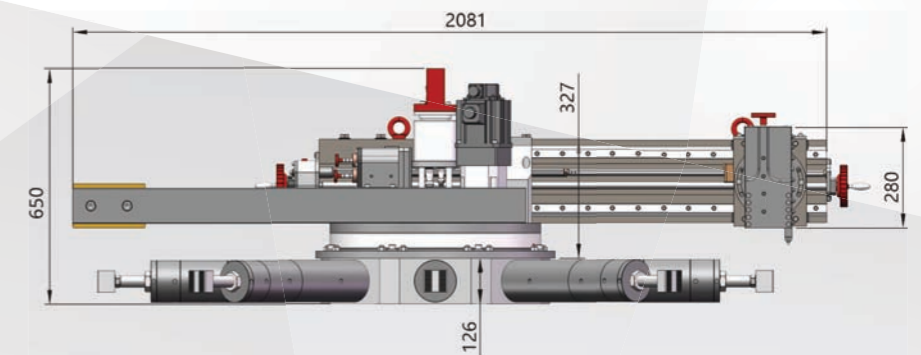
- Tool arm is made of 7075 aluminum alloy to ensure strength and lightweight equipment
- High precision preloaded disc type rotary bearing and V-shaped guide rail are adopted to ensure equipment accuracy and stability
- Modular design makes on-site installation safe and labor-saving
- ID Mounted and operates in any direction
- Suitable for various flange type: flat face, raise face, ring type joints(RTJ), Tongue & groove, compact flanges
- MODEC air motor and Panasonic electric servo motor drive for option
- 6 continuous groove facing feeds for a gramophone finish (ASME Standard)
- 6 boring auto-feed setting
- 3 different sized quick set independent bases for improved on-site operation
- 360° swivel tool post for groove details
- Steel case package, easy to storage and move

Specifications

Model	FI2000P	FI2000E
Driven	Pneumatic	Electric - Servo
Motor	MODEC Air Motor	Panasonic Servo Motor
Power Supply	3m ³ /min (105CFM)@0.6Mpa (90psi)	380-415V 3PH 50/60HZ
Motor Power	4 HP	3000 W
Min. Facing Dia.	670mm / 26.34"	
Max. Facing Dia.	2032mm / 80"	
Min. Clamping Dia.	790mm / 31.1"	
Max. Clamping Dia.	1900mm / 74.80"	
Tool Post Travel	102mm / 4"	
No. of Feed Settings	6	
Min. Swing Diameter	1815mm / 71.46"	
Max. Swing Diameter	2432mm / 95.75"	
Max. R.P.M	12	15
Machine Weight	800 Kgs (W/o base)	825 Kgs (W/o base)
Shipping Weight	1050 Kgs	1075 Kgs
Package	Steel Case	Steel Case
Shipping Dimensions	2020*810*870mm	2020*810*870mm

Dimension Figure

Unit : mm



Pictures

